

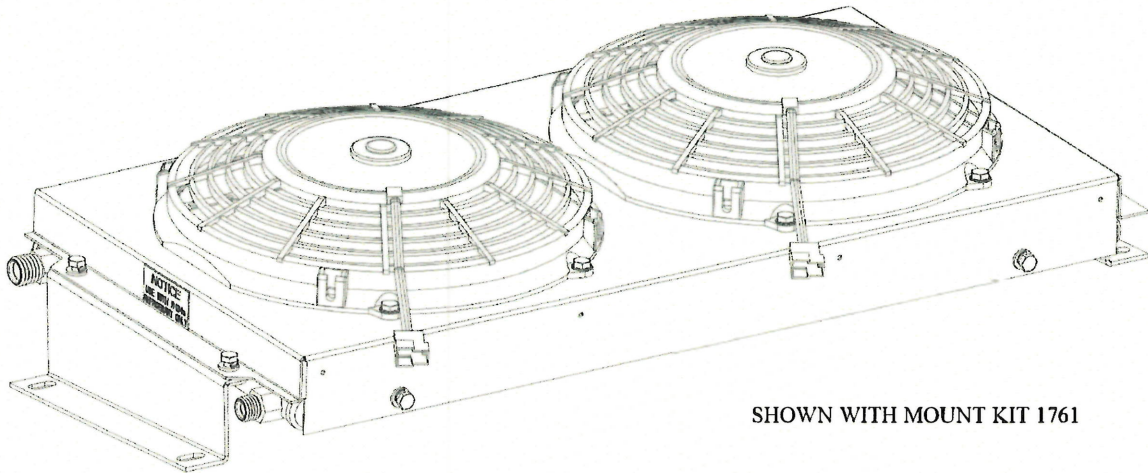


RD-4-7083

Remote Mount Condenser

RD-4-7083-0P (12V, Black)
RD-4-7083-0-24P (24V, Black)
Kit 1761 (Mount Kit, Black)

INSTALLATION AND SERVICE INSTRUCTIONS



SHOWN WITH MOUNT KIT 1761

Required Items for Model RD-4-7083 Mounting

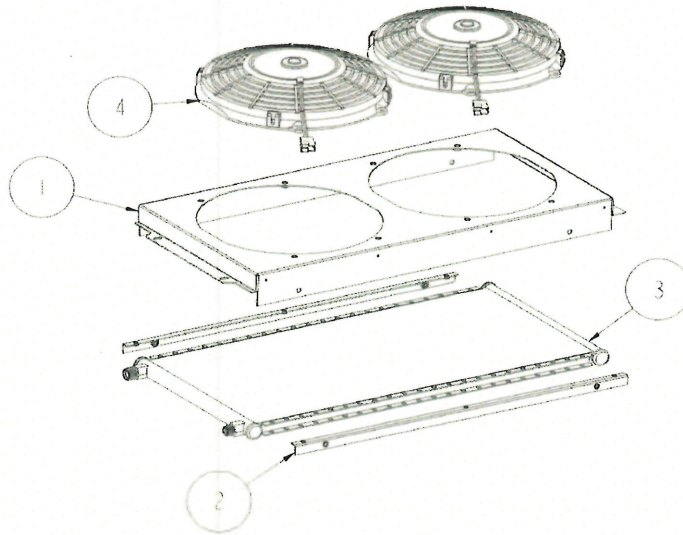
- Mounting Hardware (see template)
- Drill
- 7 or 9 mm (9/32" or 11/32") Drill Bits
- Metric or SAE Socket Set
- SAE Wrench Set (3/4" through 1-1/8")

Required Items for Complete A/C Installation. Available from your Red Dot Distributor.

- Evaporator Unit
- Compressor
- Compressor Mount
- Compressor Drive Belt (add-on pulley may be required)
- Refrigerant Hoses, Fittings and O-Rings
- Receiver/Drier
- Electrical Components (Wire, Connectors, etc)
- Switches (High & Low or Binary Pressure)

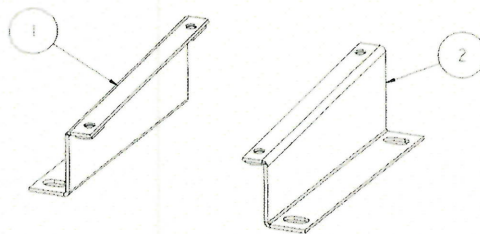
Red Dot Corporation
495 Andover Park East Seattle, WA 98188
Copyright, Red Dot Corporation All rights reserved

Model RD-4-7083 Service Parts



ITEM	PART #	DESCRIPTION	ITEM	PART #	DESCRIPTION
1	RD-4-7607-0	HOUSING,BLACK	3	RD-4-7609-0	CONDENSER COIL
2	RD-4-7608-0	COIL BRACKET	4	RD-5-8703-0	FAN, 12V
				RD-5-8703-1	FAN, 24V

Mount Kit 1761 Parts



ITEM	PART #	DESCRIPTION	ITEM	PART #	DESCRIPTION
1	203092	MOUNT BRKT,LH,BLACK	2	203093	MOUNT BRKT,RH,BLACK

For Reference Only, Subject to Change without Notice

CAUTION!

Complete the Following Items before Installation

- Read These Instructions Completely
- Disconnect Vehicle's Battery

Special Handling Instructions

- A/C system pressures during operation of up to 350 psi are common. Please use extreme care when charging and servicing any A/C system.
- For an A/C system to operate at peak efficiency, it must be both clean and dry. Take special care to keep all components clean and all fittings capped until refrigerant hoses are completely installed.

Mounting the Model RD-4-7083 Condenser

Torque Recommendations for Steel Beadlock Fittings

#6: 11 - 13 ft•lbs. (15 - 18 N•m)

#8: 15 - 20 ft•lbs. (20 - 27 N•m)

#10: 21 - 27 ft•lbs. (29 - 37 N•m)

Step 1

Determine the mounting location. The supplied template gives you the dimensional requirements.

NOTE:

- Ensure unobstructed airflow to both the coil and fan sides of the condenser housing.

Step 2

Tape the supplied template to the desired mounting location and drill the holes as instructed.

Step 3

Remove all burrs from the holes.

Step 4

OPTION 1

Secure the condenser to the vehicle through the coil/housing bolt locations using 6mm (1/4") fasteners. Spacers may be required.

OPTION 2 (Using Mount Kit 1761) Using four 6mm bolts, fasten the mount brackets to the condenser as shown on the cover illustration. Secure the condenser to the vehicle using 8mm (5/16") fasteners. **NOTE:** The large #8 fitting should be above the smaller #6 fitting in the installed state.

Routing and Connecting the Refrigerant Hoses

Step 1

COMPRESSOR to CONDENSER

Determine the desired hose routing from the compressor to the condenser. Cut a #8 refrigerant hose to proper length. The hose should be free of inner contaminants. Install the required #8 steel bead lock fittings on the hose and crimp each using a bubble style crimper for #8 refrigerant hose.

Step 2

Connect the hose to the compressor and route it to the condenser. Connect it to the #8 bulkhead on the side of the condenser.

NOTE: Install a #8 R-134a compatible O-Ring to each fitting, then torque to the specifications listed on page 3.

Step 3

CONDENSER to DRIER & EVAPORATOR

Determine the desired hose routing from the condenser to the receiver/drier and from the receiver/drier to the evaporator. Cut a #6 refrigerant hose to proper length. The hose should be free of inner contaminants. Install the required #6 steel bead lock fittings onto the hose and crimp each using a bubble style crimper for #6 refrigerant hose.

NOTE: Install a #6 R-134a compatible O-Ring to each fitting, then torque to the specifications listed on page 3.

NOTE: The suction hose installation is handled during the installation of the compressor and evaporator.

Connecting the Electrical Wiring

CAUTION!

Make sure the battery is disconnected before attempting the following steps.

Before you begin:

Reference the wire schematic. The condenser's wire harness may either be connected to the vehicle by connector or butt splices. Sealed connections are recommended.

Step 1

OPTION 1 (Recommended)

Blue Wires: Condenser Fan Power in
Connect the blue wires directly to a condenser relay (not supplied) activated by the condenser power out wire at the evaporator. Power the relay by connecting it to an accessory feed on the fuse panel. We recommended placing a 20A fuse in line for 12V systems (10A for 24V).

OPTION 2

Blue Wires: Condenser Fan Power in
Connect the blue wires directly to the condenser power out wire at the evaporator.

Step 2

Black Wires: Ground in
Connect the black wires to a secure vehicle ground.

Model RD-4-7083 Wiring Diagram

