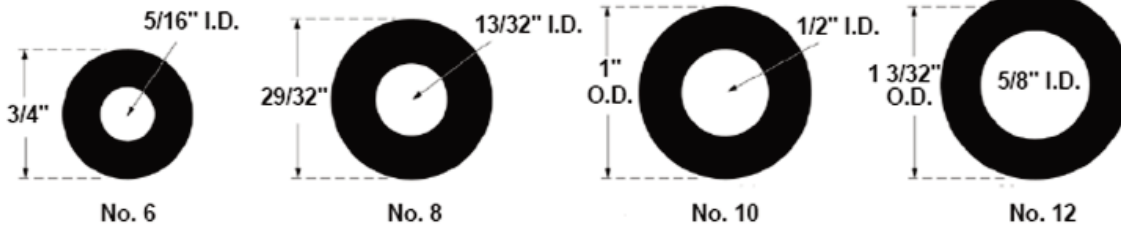
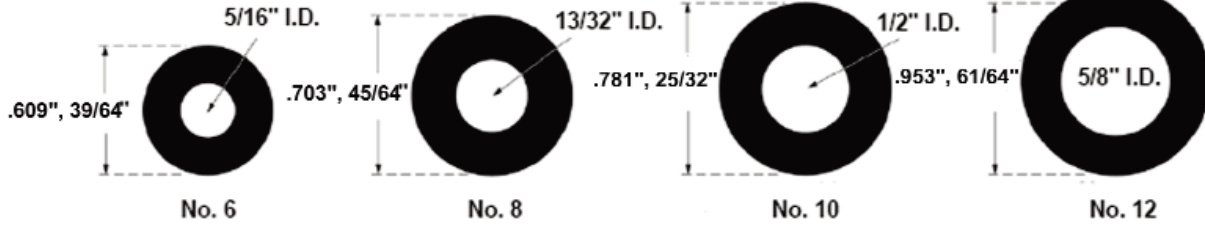


Refrigerant Hose Sizes

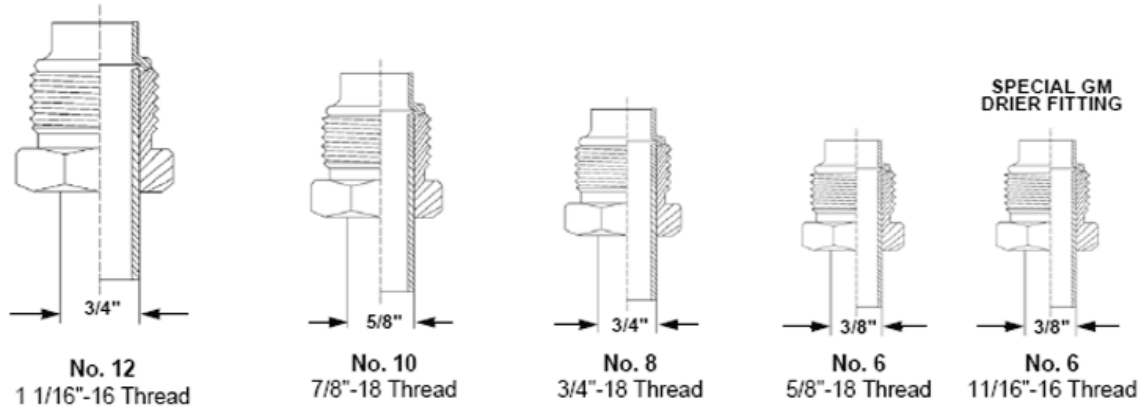
Standard Barrier (below)



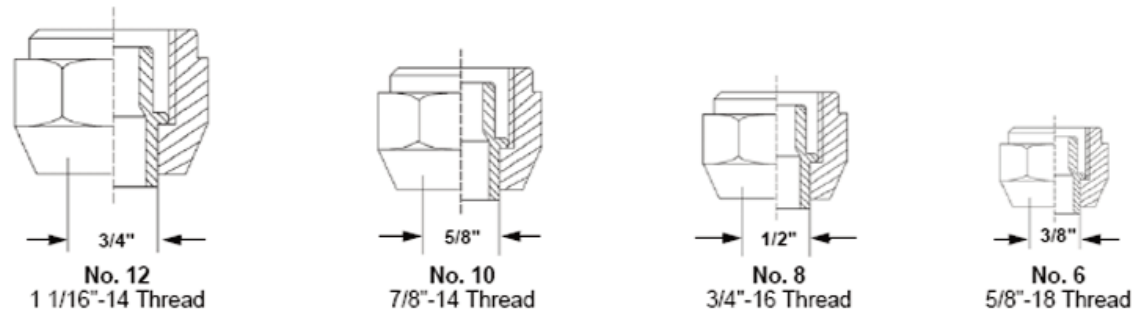
Reduced Barrier (below)



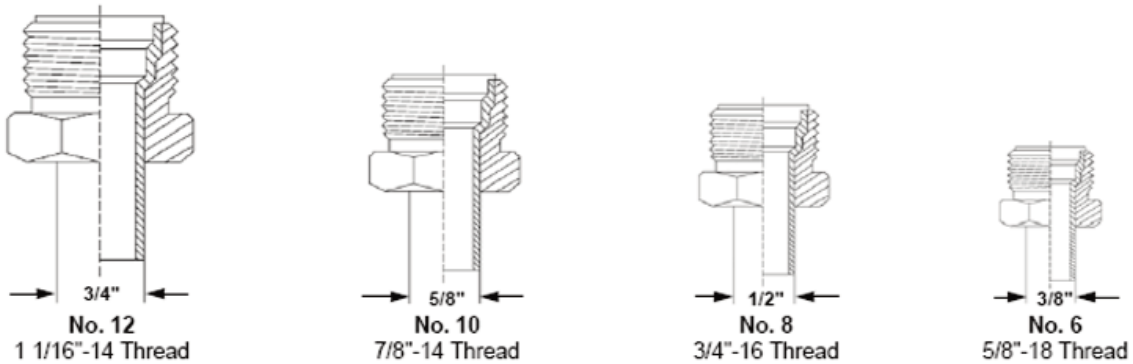
Male O-Ring



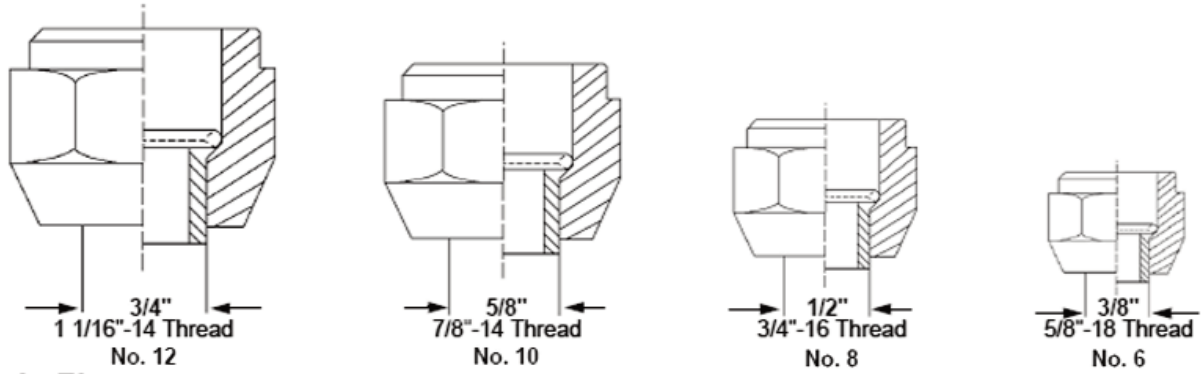
Female O-Ring



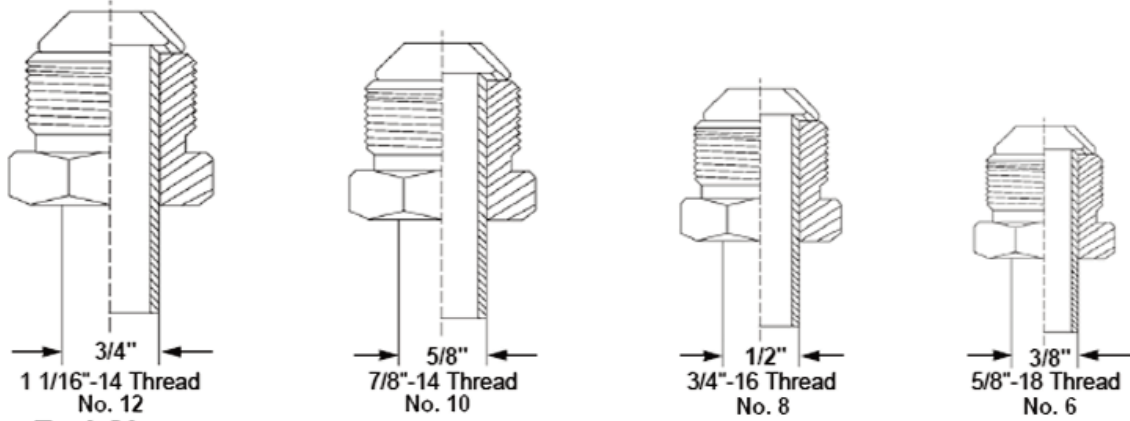
Male Insert O-Ring



Female Flare



Male Flare



Hose End Sizes

